

# RAP 80 F901: Snap-action relay

## Areas of application

As a pressure switching relay with variable change-over point for setting up pneumatic control systems.

## Features

- On reaching the setpoint, the connected system is put under pressure or vented
- Control action can be selected
- Controller front panel is printed with circuit diagram for rapid identification of function
- Thermoplastic housing suitable for wall or top-hat rail mounting
- Compressed air connections with Rp 1/8" female thread
- Complies with directive 97/23/EC Art. 3.3 on pressure equipment



T03048



## Technical description

- Supply pressure 1.3 bar ± 0.1
- Switching difference 0.04 bar
- 1 input
- 1 output
- 1 setpoint adjuster

Type	Description	Air output	Air consumption	Weight kg
<b>RAP 80 F901</b>	snap-action relay	400 l <sub>n</sub> /h	6 l <sub>n</sub> /h	0,15
Supply pressure <sup>1)</sup>	1,3 bar ± 0,1	Permissible ambient temp.		0...55 °C
Input pressures	0...1,4 bar	Connection diagram		<a href="#">A02894</a>
Output pressure	0...1,4 bar	Dimension drawing		<a href="#">M297107</a>
Setpoint X <sub>S</sub>	0...100%	Fitting instructions		<a href="#">MV 3281</a>
Switching difference	0,04 bar (fixed)			

## Accessories

**0296936 000\*** Fixing bracket for rail EN 60715 35 × 7,5 and 35 × 15

<sup>\*)</sup> Dimension drawing or wiring diagram are available under the same number

<sup>1)</sup> See Section 60 on regulations concerning the quality of supply air, especially at low ambient temperatures

## Operation

### Control action A (factory setting)

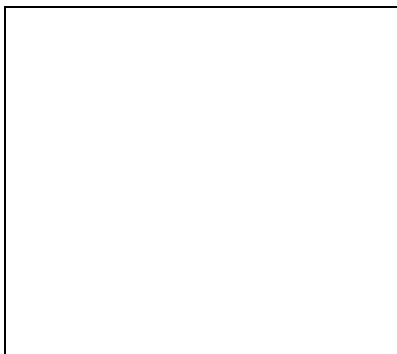
If the pressure at connection no. 6 is higher than the setpoint, then the pressure is transmitted via connection no. 3. If it is lower, then the output pressure at connection no. 2 is vented.

### Control action B (change-over option)

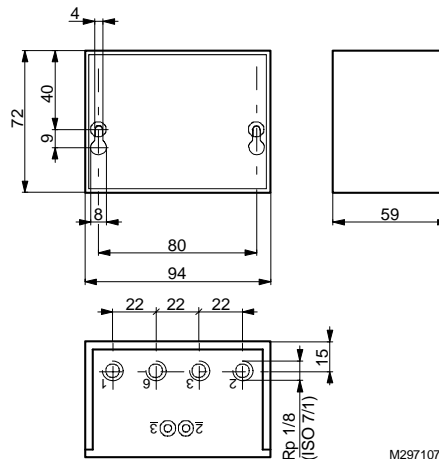
If the pressure at connection no. 6 is lower than the setpoint, then the pressure is transmitted via connection no. 3. If it is higher, then the output pressure at connection no. 2 is vented.

## Connection diagrams

RAP 80 F901



## Dimension drawing



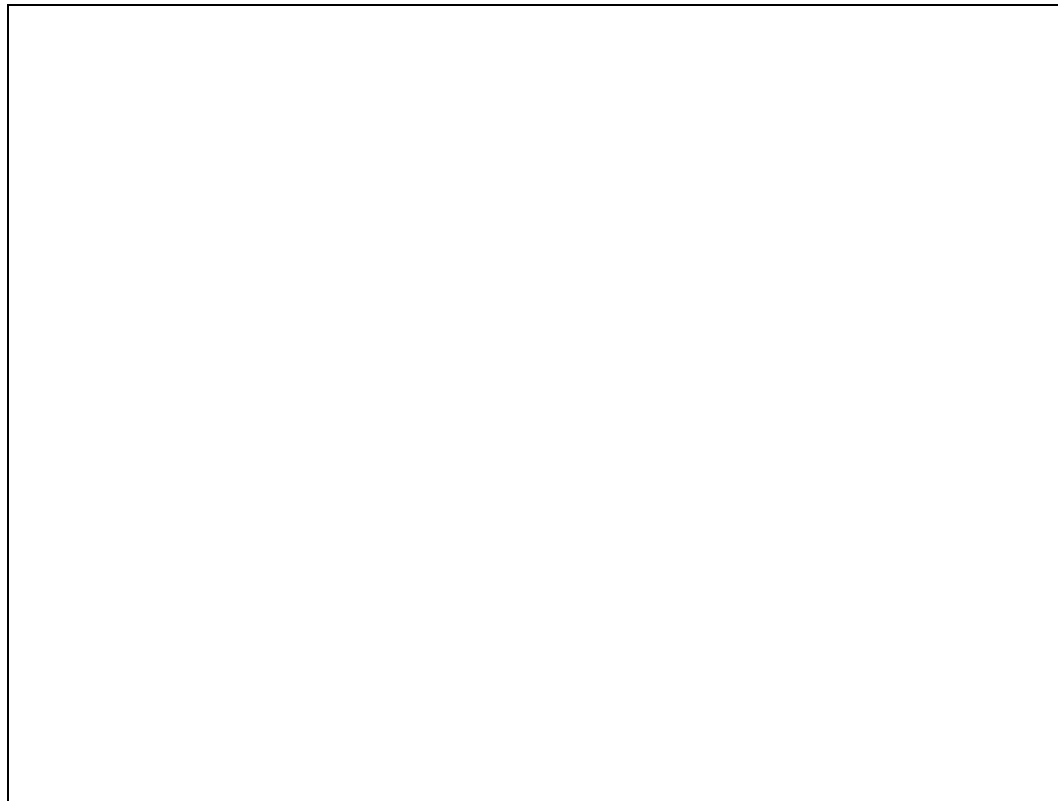
M297107a

## Accessories

### Example of use

Pneumatic individual-room temperature control: continuous control of room temperature in accordance with the outside temperature (fixed-value + schedule control).

Application: ventilator and jet-convector plant with common heat exchanger; four-pipe system.



1	Induction device	H	=	heating	
2	Pneumatic three-way unit valve BH 18 P., B–AB normally open; full range 0,3 – 0,9 bar (change-over valve)	K	=	cooling	
		VWW		flow	} warm water
		RWW		return	
3	Pneumatic three-way unit valve BH 11 P., B–AB normally open; partial ranges 0,2 – 0,5 bar	VKW		flow	} cold water
		RKW		return	
4	Pneumatic three-way unit valve BK 15 P., A–AB normally closed; partial ranges 0,7 – 1,0 bar	S	=	slope, setpoint shift	
		FF	=	shift starting point, setpoint of scheduling relay	
		X <sub>S</sub>	=	setpoint	
		T <sub>A</sub>	=	outside temperature	
		T <sub>R</sub>	=	room temperature	

### По вопросам продаж и поддержки обращайтесь:

Архангельск +7 (8182) 45-71-35	Калининград +7 (4012) 72-21-36	Новороссийск +7 (8617) 30-82-64	Сочи +7 (862) 279-22-65
Астана +7 (7172) 69-68-15	Калуга +7 (4842) 33-35-03	Новосибирск +7 (383) 235-95-48	Ставрополь +7 (8652) 57-76-63
Астрахань +7 (8512) 99-46-80	Кемерово +7 (3842) 21-56-70	Омск +7 (381) 299-16-70	Сургут +7 (3462) 77-96-35
Барнаул +7 (3852) 37-96-76	Киров +7 (8332) 20-58-70	Орел +7 (4862) 22-23-86	Сызрань +7 (8464) 33-50-64
Белгород +7 (4722) 20-58-80	Краснодар +7 (861) 238-86-59	Оренбург +7 (3532) 48-64-35	Сыктывкар +7 (8212) 28-83-02
Брянск +7 (4832) 32-17-25	Красноярск +7 (391) 989-82-67	Пенза +7 (8412) 23-52-98	Тверь +7 (4822) 39-50-56
Владивосток +7 (4232) 49-26-85	Курск +7 (4712) 23-80-45	Первоуральск +7 (3439) 26-01-18	Томск +7 (3822) 48-95-05
Владимир +7 (4922) 49-51-33	Липецк +7 (4742) 20-01-75	Пермь +7 (342) 233-81-65	Тула +7 (4872) 44-05-30
Волгоград +7 (8442) 45-94-42	Магнитогорск +7 (3519) 51-02-81	Ростов-на-Дону +7 (863) 309-14-65	Тюмень +7 (3452) 56-94-75
Воронеж +7 (4732) 12-26-70	Москва +7 (499) 404-24-72	Рязань +7 (4912) 77-61-95	Ульяновск +7 (8422) 42-51-95
Екатеринбург +7 (343) 302-14-75	Мурманск +7 (8152) 65-52-70	Самара +7 (846) 219-28-25	Уфа +7 (347) 258-82-65
Иваново +7 (4932) 70-02-95	Наб.Челны +7 (8552) 91-01-32	Санкт-Петербург +7 (812) 660-57-09	Хабаровск +7 (421) 292-95-69
Ижевск +7 (3412) 20-90-75	Ниж.Новгород +7 (831) 200-34-65	Саранск +7 (8342) 22-95-16	Чебоксары +7 (8352) 28-50-89
Иркутск +7 (3952) 56-24-09	Нижневартовск +7 (3466) 48-22-23	Саратов +7 (845) 239-86-35	Челябинск +7 (351) 277-89-65
Йошкар-Ола +7 (8362) 38-66-61	Нижнекамск +7 (8555) 24-47-85	Смоленск +7 (4812) 51-55-32	Череповец +7 (8202) 49-07-18
Казань +7 (843) 207-19-05			Ярославль +7 (4852) 67-02-35