

RVP 80: Amplifying relay

Areas of application

Amplification of air volume for low-capacity pneumatic devices.

Features

- Amplification of low air capacities
- Controller front panel is printed with circuit diagram for rapid identification of function
- Thermoplastic housing suitable for wall or top-hat rail mounting
- Compressed air connections with Rp 1/8" female thread
- Minimum and/or maximum limiting of pneumatic pressure signals
- Complies with directive 97/23/EC Art. 3.3 on pressure equipment

Technical description

- Supply pressure 1.3 bar \pm 0.1
- Two input signals for:
 - air capacity
 - maximum and minimum limiting
- One output signal



T03047



Y03112

Type	Description	Air output	Air consumption ¹⁾	Weight kg
RVP 80 F001	air-volume amplification	400 l _n /h	17 l _n /h	0,15
Supply pressure ²⁾	1,3 bar \pm 0,1	Permissible ambient temp.		0...55 °C
Input pressure	0...1,4 bar	Connection diagram		A02892
Output pressure	0...1,4 bar	Dimension drawing		M297107
		Fitting instructions		MV 3250

Accessories

- 0296936 000*** Fixing bracket for rail EN 60715, 35 × 7,5 and 35 × 15
0297113 000* Manometer bracket for fitting two XMP includes kit; MV 3255
0297091 000* Cover for spare apertures (for manometers), when 0297113 is used

^{*)} Dimension drawing or wiring diagram are available under the same number

1) Without transducer. Air consumption for transducer: an additional 33 l_n/h for connection 3

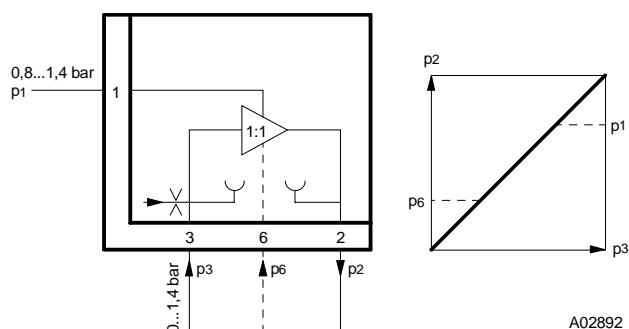
2) See Section 60 on regulations concerning the quality of supply air, especially at low ambient temperatures

Operation

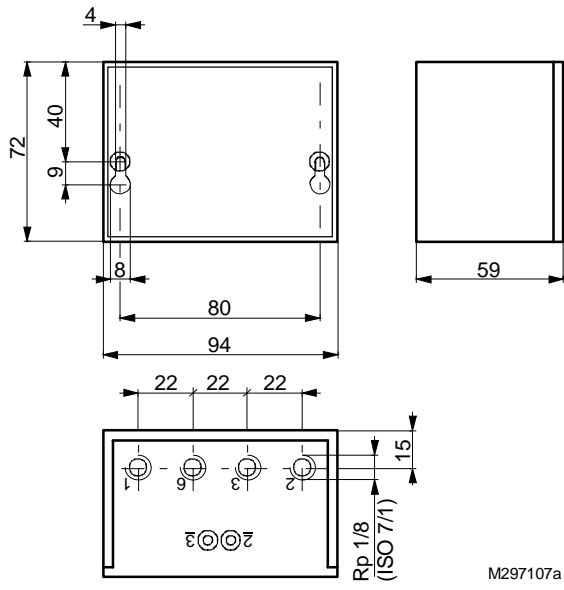
When the input pressure is rising, the output pressure also rises; conversely, falling input pressure produces falling output pressure. Variable pressures of between 0 and 1,4 bar can also be applied to connections 1 and 6; this provides limitation of the output pressure.

Connection 1 is for maximum limitation and/or connection 6 is for minimum limitation. The output pressure is then prevented from ever exceeding the pressure at connection 1, and will never be lower than the pressure at connection 6. There is an integrated restrictor (\varnothing 0,2 mm) for supplying the transducer.

Connection diagram

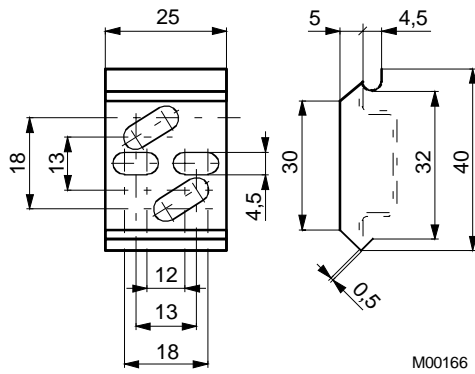


Dimension drawing

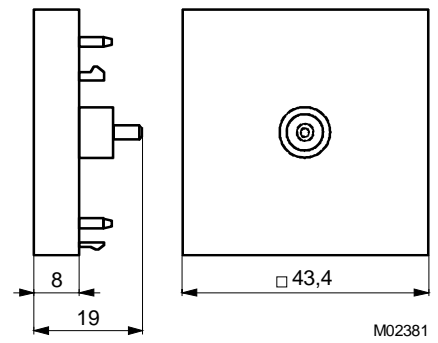


Accessories

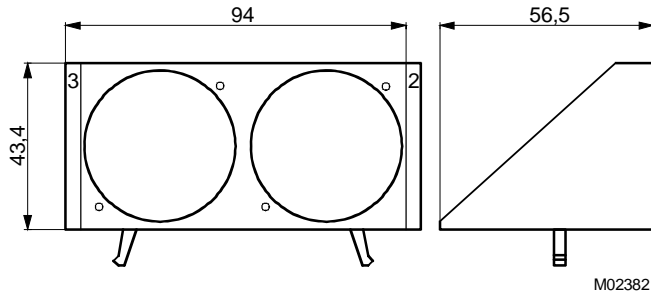
296936



297091



297113



По вопросам продаж и поддержки обращайтесь:

Архангельск +7 (8182) 45-71-35	Калининград +7 (4012) 72-21-36	Новороссийск +7 (8617) 30-82-64	Сочи +7 (862) 279-22-65
Астана +7 (7172) 69-68-15	Калуга +7 (4842) 33-35-03	Новосибирск +7 (383) 235-95-48	Ставрополь +7 (8652) 57-76-63
Астрахань +7 (8512) 99-46-80	Кемерово +7 (3842) 21-56-70	Омск +7 (381) 299-16-70	Сургут +7 (3462) 77-96-35
Барнаул +7 (3852) 37-96-76	Киров +7 (8332) 20-58-70	Орел +7 (4862) 22-23-86	Сызрань +7 (8464) 33-50-64
Белгород +7 (4722) 20-58-80	Краснодар +7 (861) 238-86-59	Оренбург +7 (3532) 48-64-35	Сыктывкар +7 (8212) 28-83-02
Брянск +7 (4832) 32-17-25	Красноярск +7 (391) 989-82-67	Пенза +7 (8412) 23-52-98	Тверь +7 (4822) 39-50-56
Владивосток +7 (4232) 49-26-85	Курск +7 (4712) 23-80-45	Первоуральск +7 (3439) 26-01-18	Томск +7 (3822) 48-95-05
Владимир +7 (4922) 49-51-33	Липецк +7 (4742) 20-01-75	Пермь +7 (342) 233-81-65	Тула +7 (4872) 44-05-30
Волгоград +7 (8442) 45-94-42	Магнитогорск +7 (3519) 51-02-81	Ростов-на-Дону +7 (863) 309-14-65	Тюмень +7 (3452) 56-94-75
Воронеж +7 (4732) 12-26-70	Москва +7 (499) 404-24-72	Рязань +7 (4912) 77-61-95	Ульяновск +7 (8422) 42-51-95
Екатеринбург +7 (343) 302-14-75	Мурманск +7 (8152) 65-52-70	Самара +7 (846) 219-28-25	Уфа +7 (347) 258-82-65
Иваново +7 (4932) 70-02-95	Наб.Челны +7 (8552) 91-01-32	Санкт-Петербург +7 (812) 660-57-09	Хабаровск +7 (421) 292-95-69
Ижевск +7 (3412) 20-90-75	Ниж.Новгород +7 (831) 200-34-65	Саранск +7 (8342) 22-95-16	Чебоксары +7 (8352) 28-50-89
Иркутск +7 (3952) 56-24-09	Нижневартковск +7 (3466) 48-22-23	Саратов +7 (845) 239-86-35	Челябинск +7 (351) 277-89-65
Йошкар-Ола +7 (8362) 38-66-61	Нижнекамск +7 (8555) 24-47-85	Смоленск +7 (4812) 51-55-32	Череповец +7 (8202) 49-07-18
Казань +7 (843) 207-19-05			Ярославль +7 (4852) 67-02-35

сайт: sauter.pro-solution.ru | эл. почта: sxr@pro-solution.ru
телефон: 8 800 511 88 70