

XGP 2: Pneumatic control-pressure adjuster

Areas of application

Remote adjuster for setpoint adjustment of pneumatic controllers (e.g. Centair), plus manual control of small pneumatic control units.

Features

- Setting knob with interchangeable scales and 2 stops for limiting the setting range or locking the setting
- Suitable for fitting into panels or for recessed mounting
- Complies with directive 97/23/EC Art. 3.3 on pressure equipment

Technical description

- Supply pressure 1.3 bar \pm 0.1

Type	Setting range bar	Setting span ¹⁾ bar	Scale ²⁾ °C	Weight kg
XGP 2 F001	0...1,2	–	5...35	0,029
XGP 2 F002	–	\pm 0,1	\pm 3,75	0,029
Supply pressure ³⁾	1,3 \pm 0,1 bar		Permissible ambient temp	0...55 °C
Air capacity, air consumption			Connection diagram	A03462
with restrictor \varnothing 0,14 mm	16 I _n /h		Dimension drawing	M297201
with restrictor \varnothing 0,2 mm	33 I _n /h		Fitting instructions	MV 7320
Output pressure	0...1,2 bar			

Accessories

- 0303124 000*** Recessed junction box
- 0297212 000*** Intermediate plate for fitting into recessed junction box
- 0296218 000*** Buckle-proof connector-adaptor for push-on installation
- 0296990 000*** Buckle-proof connector-adaptor for screw-type installation; MV 7322

*) Dimension drawing or wiring diagram are available under the same number

- 1) Zero point is variable between 0,2 and 1,0 bar; factory setting is 0,6 bar.
- 2) F001: rear 0...120 °C. Included are: 20...90 %rh, % scale, gradation 5, gradation 6.
F002: rear \pm 8,75 %rh. Inscrutable scale is included.
- 3) See Section 60 on regulations concerning the quality of supply air, especially at low ambient temperature.



T03070



Y03461

Operation

The output pressure rises when the adjuster knob is turned in a clockwise direction.

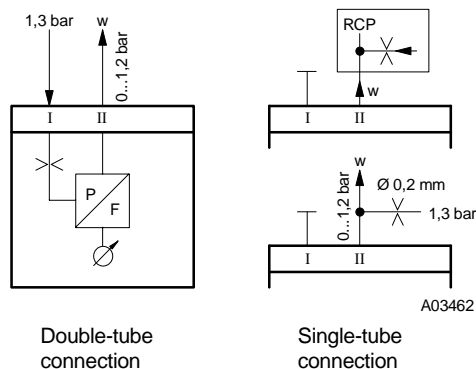
Single-tube connection

The transmitter is supplied with air via connector no. II through either an external restrictor (\varnothing 0,2 mm) or the restrictor (\varnothing 0,14 mm) in connector no. 6 in the *centair* controllers. Connector no. I remains closed off by the cap (included in delivery).

Double-tube connection

The transmitter is supplied with air via the integrated restrictor (\varnothing 0,2 mm). Connector no. I is for supply pressure; no. II for output pressure.

Connection diagram



По вопросам продаж и поддержки обращайтесь:

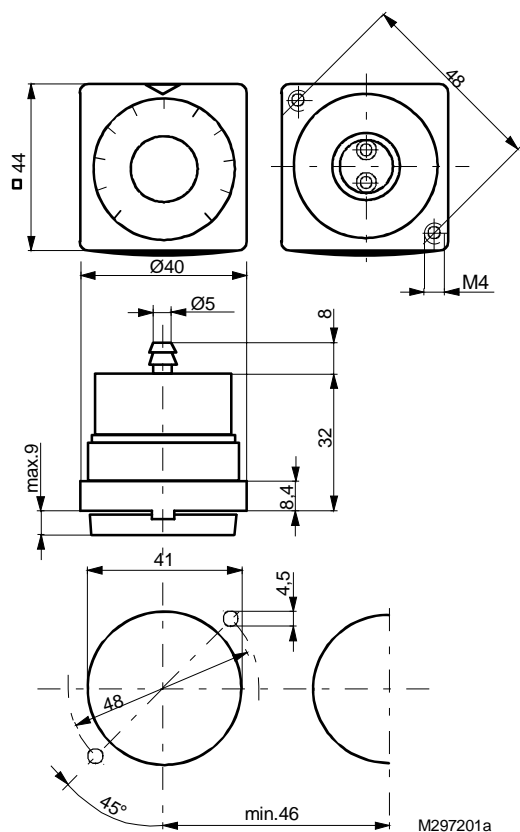
Волгоград +7 (8442) 45-94-42
Екатеринбург +7 (343) 302-14-75
Ижевск +7 (3412) 20-90-75
Казань +7 (843) 207-19-05

Краснодар +7 (861) 238-86-59
Красноярск +7 (391) 989-82-67
Москва +7 (499) 404-24-72
Ниж.Новгород +7 (831) 200-34-65

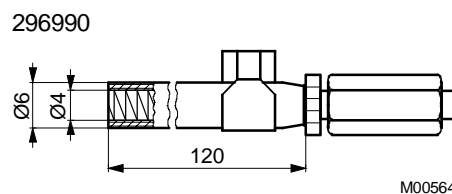
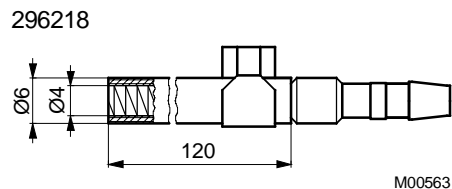
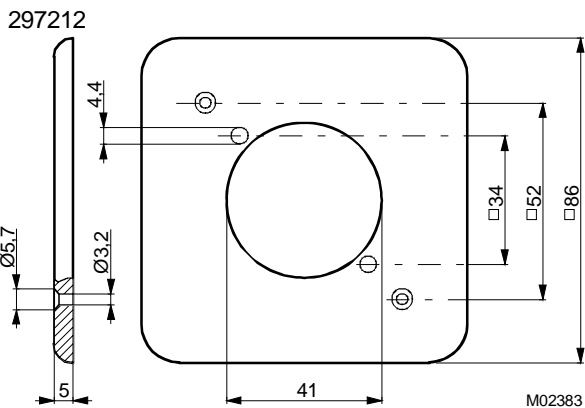
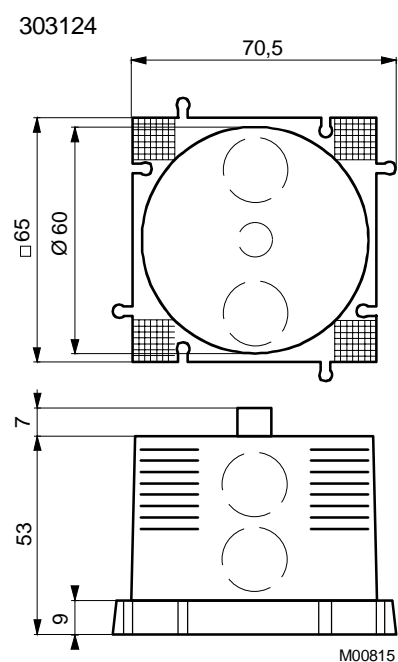
Новосибирск +7 (383) 235-95-48
Омск +7 (381) 299-16-70
Пермь +7 (342) 233-81-65
Ростов-на-Дону +7 (863) 309-14-65

Самара +7 (846) 219-28-25
Санкт-Петербург +7 (812) 660-57-09
Саратов +7 (845) 239-86-35
Сочи +7 (862) 279-22-65

Dimension drawing



Accessories



По вопросам продаж и поддержки обращайтесь:

Волгоград +7 (8442) 45-94-42
 Екатеринбург +7 (343) 302-14-75
 Ижевск +7 (3412) 20-90-75
 Казань +7 (843) 207-19-05

Краснодар +7 (861) 238-86-59
 Красноярск +7 (391) 989-82-67
 Москва +7 (499) 404-24-72
 Ниж.Новгород +7 (831) 200-34-65

Новосибирск +7 (383) 235-95-48
 Омск +7 (381) 299-16-70
 Пермь +7 (342) 233-81-65
 Ростов-на-Дону +7 (863) 309-14-65

Самара +7 (846) 219-28-25
 Санкт-Петербург +7 (812) 660-57-09
 Саратов +7 (845) 239-86-35
 Сочи +7 (862) 279-22-65