

XTP: Time-lag relay

Areas of application

Adjustable attenuation of pneumatic signals, e.g. for switched (immediate) control pressures.

Features

- Front panel with printed circuit diagram for easier commissioning
- Plastic housing suitable for wall or top-hat rail mounting (rail EN 60715)
- Compressed-air connections with Rp 1/8" female thread
- Complies with directive 97/23/EC Art. 3.3 on pressure equipment

Technical description

- Supply pressure 1.3 bar \pm 0.1
- Adjustable time constant between 0.2 and 3 min.



Type	Time constant min	Air output	Air consumption	Weight kg
XTP 2 F001	0,2...3 ¹⁾	400 l _n /h	6 l _n /h	0,15
Supply pressure ²⁾	1,3 \pm 0,1 bar	Permissible amb. temperature		0...55 °C
Input pressure	0...1,4 bar	Connection diagram		A02895
Output pressure	0...1,4 bar	Dimension drawing		M297107
		Fitting instructions		MV 7329

Accessories

0296936 000* Fixing bracket for rail 35 \times 7,5 and 35 \times 15

0297277 000 Resistor and scale for increasing the time constant to between 3 and 6 minutes

*) Dimension drawing or wiring diagram are available under the same number

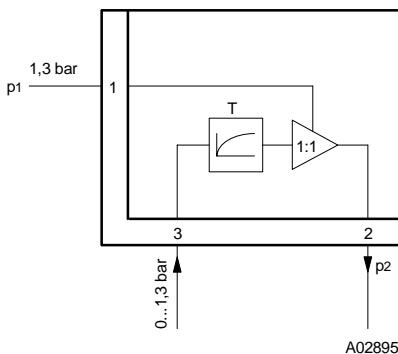
1) Accessory 0297277 allows the time constant to be increased to between 3 and 6 minutes

2) See Section 60 on regulations concerning the quality of supply air, especially at low ambient temperature.

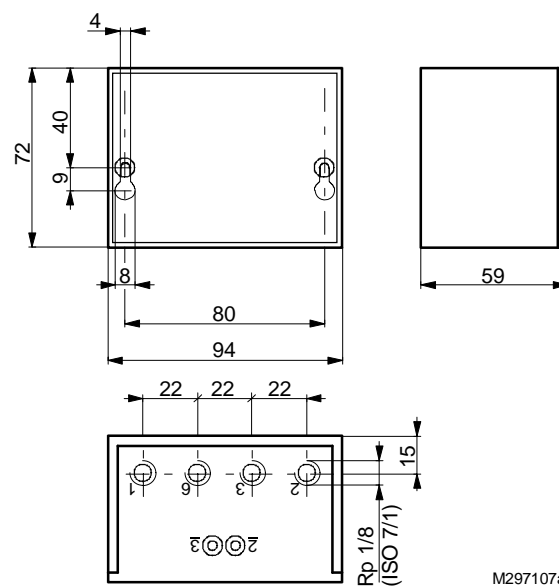
Operation

By turning the adjuster knob, the time constant T can be varied between 0,2 and 3 minutes, regardless of the capacity connected (with accessory Z 0297277, this can be increased to between 3 and 6 minutes). The relay can either supply or retract air, without impairing operation.

Connection diagram

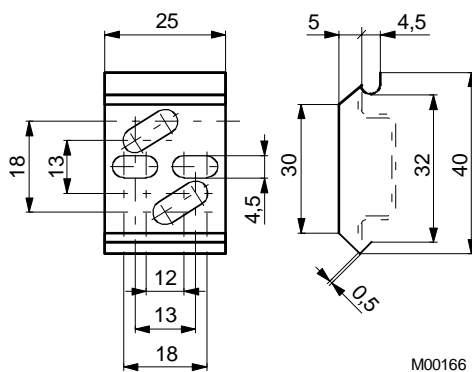


Dimension drawing



Accessories

296936



По вопросам продаж и поддержки обращайтесь:

Волгоград +7 (8442) 45-94-42
Екатеринбург +7 (343) 302-14-75
Ижевск +7 (3412) 20-90-75
Казань +7 (843) 207-19-05

Краснодар +7 (861) 238-86-59
Красноярск +7 (391) 989-82-67
Москва +7 (499) 404-24-72
Ниж.Новгород +7 (831) 200-34-65

Новосибирск +7 (383) 235-95-48
Омск +7 (381) 299-16-70
Пермь +7 (342) 233-81-65
Ростов-на-Дону +7 (863) 309-14-65

Самара +7 (846) 219-28-25
Санкт-Петербург +7 (812) 660-57-09
Саратов +7 (845) 239-86-35
Сочи +7 (862) 279-22-65