

Connecting pieces for push-on pneumatic measuring lines

Areas of application
Pneumatic systems

Features

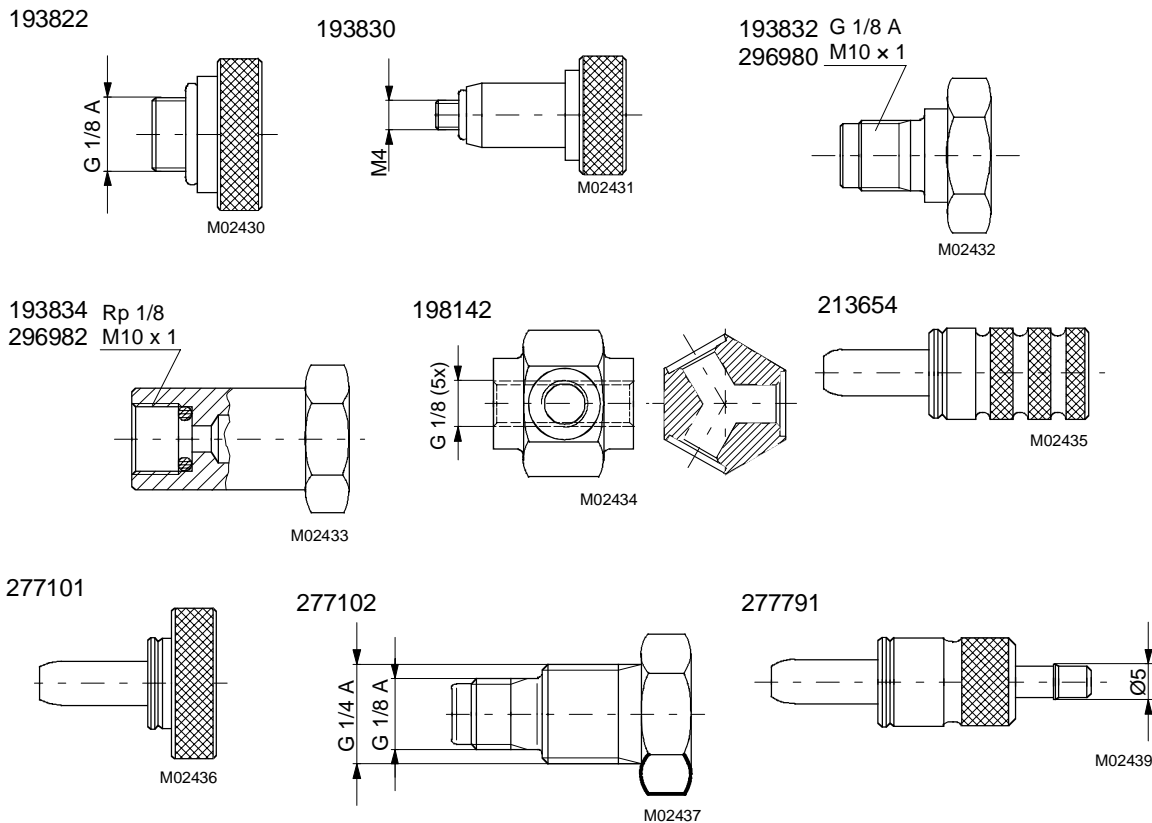
- PDS offers an overview of connection components for plug-in measuring lines

Type	Description
0193822 000*	Connection nipple, G 1/8 external, for plug d = 6
0193830 000*	Connection nipple, M4, for plug d = 6
0193832 000*	Connector G 1/8 external, for plug d = 6
0193834 000*	Connector Rp 1/8 internal, for plug d = 6
0198142 000*	Distribution piece, 5 × G 1/8 internal
0213654 000*	Blanking plug d = 6, long
0277101 000*	Blanking plug d = 6, short
0277102 000*	Socket for plug d = 6, for panel mounting
0277791 000*	Plug d=6 for tube di = 4
0296980 000*	Connector M10 × 1 external, for plug d = 6
0296982 000*	Connector M10 × 1 internal, for plug d = 6
0297112 000*	Connection nipple, M4, for tube d = 2.3
0297162 000*	T-piece; 1 plug; 2 sockets d = 6 mm for various pneumatic uses
0297508 000*	Pneumatic service set: adjuster & tube removers

Accessories

- 5658803 000 1m polyurethane tube, colourless, for pneumatic use
- 5658804 000 1m polyurethane tube, black, for pneumatic use
- 5658805 000 1m polyurethane tube, red, for pneumatic use
- 5658806 000 1m polyurethane tube, green, for pneumatic use

*) Dimension drawing or wiring diagram are available under the same number



По вопросам продаж и поддержки обращайтесь:

- | | | | |
|---------------------------------|---------------------------------|-----------------------------------|------------------------------------|
| Волгоград +7 (8442) 45-94-42 | Краснодар +7 (861) 238-86-59 | Новосибирск +7 (383) 235-95-48 | Самара +7 (846) 219-28-25 |
| Екатеринбург +7 (343) 302-14-75 | Красноярск +7 (391) 989-82-67 | Омск +7 (381) 299-16-70 | Санкт-Петербург +7 (812) 660-57-09 |
| Ижевск +7 (3412) 20-90-75 | Москва +7 (499) 404-24-72 | Пермь +7 (342) 233-81-65 | Саратов +7 (845) 239-86-35 |
| Казань +7 (843) 207-19-05 | Ниж.Новгород +7 (831) 200-34-65 | Ростов-на-Дону +7 (863) 309-14-65 | Сочи +7 (862) 279-22-65 |